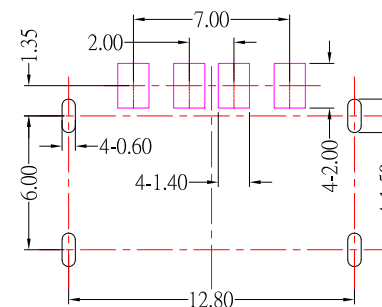
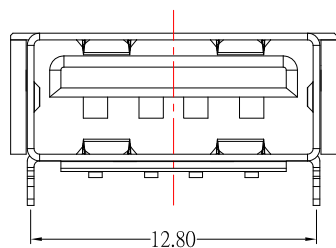


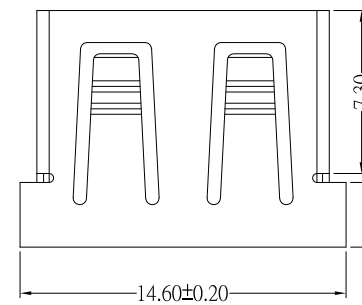
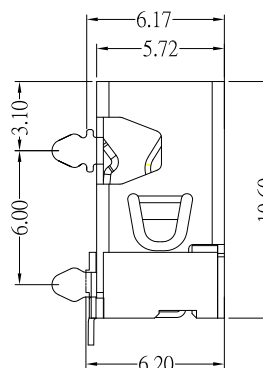
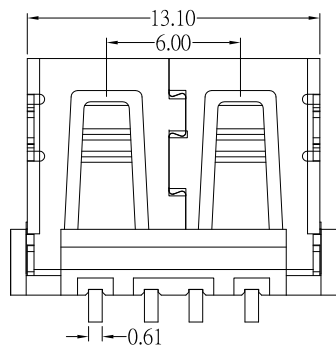
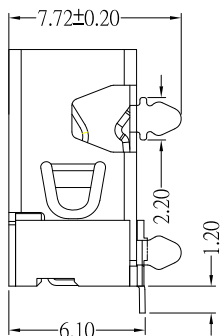


SUA-110M10A-x-S236

Color :
 White : W
 Black : B



RECOMMENDED PCB LAYOUT



SPECIFICATIONS

Electrical:

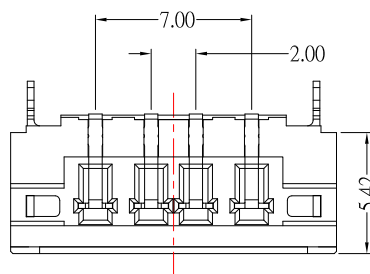
- 1.Contact Resistance: 30 mΩ Max
- 2.Insulation Resistance: 1,000 MΩ Min
- 3.Dielectric Withstanding Voltage: 500 V DC
- 4.Insertion Force: 30N Max
- 5.Extraction Force: 10N Min

Material:

- 1.Housing: LCP
- 2.Contact: Phosphor Bronze
- 3.Shell: Brass

Finish:

- 1.Contact: Plated Gold in Mating Area ;
Tin Plated on Solder Balls ;
Nickel under plated overall
- 2.Shell: Nickel under Plated surface layer



建倚科技股份有限公司
 CONTACT TECHNOLOGY CORP.

TOLERANCE UNLESS OTHERWISE STATED:
 Up to 5 ±0.2
 Above 5 ~ 15 ±0.3
 Above 15 ~ 30 ±0.4
 Above 30 ~ 50 ±0.5
 Angle ±0.3

3RD. ANGEL'S



UNITS MM

DRAWN BY:	DATE	MAT'L	TITLE	CONNECTOR
Jack Lu	10/28/22			
CHECKED BY:	DATE	FINISH	MODLE	USB AF 短體10.6 無捲邊 SMT , 四腳插板
Jacky Chen	10/28/22			
APPROVED BY:	DATE	SCALE	DWG NO.	SUA-110M10A-x-S236
Tony Kao	10/28/22	1 : 1	PART NO.	SUA-110M10A-x-S236
		SHEET NO.	1 of 1	

2	更新樣式和尺寸	Jack	102822
1	更新圖面	Jack	071218
ITEM NO.	DESCRIPTION	DRAWN	DATE